

H₂ HYDROGEN-GENERATOR



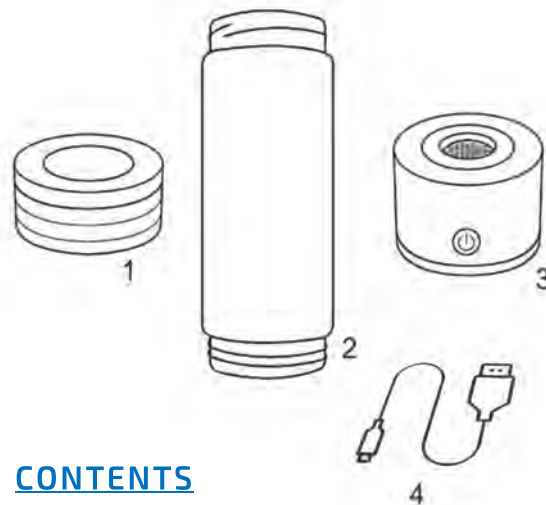
Congratulations on the purchase of your BioPure.eu mobile H₂ Hydrogen Generator.

You have chosen a high-quality device.

The high amount of generated hydrogen is achieved with the help of first-class technology without oxidants. Furthermore, this device is easy to operate, durable, reliable and flexible.



OPERATING MANUAL



CONTENTS

1. Screw cap
 2. Double-walled glass bottle body
 3. Base with H₂-generator
 4. USB-C charging cable
- + Operating instructions

After removing the unit from the packaging, please check the complete scope of delivery.

HYDROGEN ENRICHED WATER

The elements hydrogen and oxygen belong to the foundations of life and are present in both water and air. The human body consists of 62% hydrogen by volume. Hydrogen as a constituent element releases energy naturally and can strengthen our well-being.

Hydrogen-rich water supplies the body with hydrogen in the simplest and most direct way.

We have to drink water anyway, and with drinking hydrogen-enriched water we at the same time do even more good for our bodies, slow down cell ageing and maintain our vitality.

Antioxidant nutrition supports the body in neutralising free radicals and preventing possible diseases.

Hydrogen is one of the most powerful antioxidants in nature and can enter the cell, nucleus and mitochondria without hindrance, neutralising free radicals and also reducing their formation.

Hydrogen is a selective antioxidant, which means that it neutralises only the free radicals that are harmful to the body and leaves the beneficial ones alone.

In comparison with other antioxidants, hydrogen is:

- 176 times stronger than Vitamin C
- 35 times stronger than Catechine
- 431 times stronger than Vitamin E
- 863 times stronger than Coenzyme Q10.

H2 – AN ANTIOXIDANT IMPROVES OUR LIVES

- Hydrogen can effectively repair damaged islet cells and improve insulin sensitivity.
- Hydrogen can increase gastric motility, relieve constipation, promote intestinal detoxification and reduce intestinal fermentation.
- Hydrogen can repair nicotine damage.
- Hydrogen has a generally good repair effect on damaged or diseased cells.
- Hydrogen molecules help improve the cardiovascular system and support the heartbeat.

STARTING-UP YOUR HYDROGEN-GENERATOR

1. Unscrew the cover and check the interior for contamination.
2. Rinse thoroughly several times with warm water.
3. Charge the unit for the first time using the USB-C charging cable. A red light lights up during the charging process. **A green light indicates that the unit is fully charged.**
4. Now fill the glass container with suitable still water, leaving about 1 cm of air cushion.
5. Close the bottle tightly with the screw cap.
6. Press the round on/off switch on the front of the base. **A blue LED light indicates that hydrogen production is in progress.** After a few seconds, you will see hydrogen bubbles rising from the bottom of the unit.
7. Hydrogen production is complete when the blue LED light goes out and a short beep sounds. You can now drink the H₂-enriched water.
8. **We recommend to start a 2nd run with the same water to increase the H₂ concentration even more.** However, more than two passes do not bring any further enrichment, but can damage the appliance by increasing the internal pressure.
9. It is recommended to drink the H₂ water within half an hour after preparation, as the molecular hydrogen begins to volatilise again over time.
10. If a red LED light lights up when the switch is actuated LED light comes on, recharge the unit using the USB charging cable. If a blue LED light then lights up, the unit is fully charged again.

USEABLE WATER QUALITIES

Only non-carbonated STILL water types are suitable for H₂ hydrogen enrichment with the generator:

- Drinkable, possibly filtered tap water
- Still mineral water
- Spring water
- Well water
- Still bottled water
- Reverse-Osmosis water (RO-Water)

IMPORTANT NOTES

1. The hydrogen production increases steadily after repeated use of the device. When used for the first time, it may well be that fewer bubbles rise.
2. Please always use the provided and supplied USB charging cable to charge the hydrogen device.
3. Before filling with water, check that the bottle and the base with the generator are screwed tightly.
4. **We recommend to start a 2nd run with the same water to increase the H₂ concentration even more.** Do not enrich the same amount of water more than 2 times in a row to prevent the internal pressure from becoming too high and damaging the appliance.
5. In case of prolonged non-use, it is recommended to charge the unit once a month to ensure the durability of the battery.
6. It is not permitted to disassemble the unit during the warranty period.
7. Only drinking water in accordance with the hygiene standard is to be used.

MAINTENANCE & CLEANING

Regular maintenance will extend the life of your unit and ensure that hydrogen production is guaranteed.

REGULAR CLEANING

Clean the appliance regularly with citric acid:

Fill the water bottle with 250ml water and 5g citric acid and shake 2-3 times. Empty the bottle again and then rinse carefully.

DECALCIFICATION

Limescale deposits may form with frequent use:

Fill the appliance with 250ml water and 5g citric acid. Let the solution soak in for approx. 1 hour. Then pour away the citric acid solution and carefully rinse out the bottle.

CLEANING FOR ODOURS

If there are unpleasant odours in the water tank:

Fill hot water (60°C - 80 °C) into the tank and wait 3-5 minutes. Then remove the water. Note: Odour does not affect hydrogen production or the taste.

TROUBLESHOOTING

If no hydrogen is generated, it may have the following causes:

- **No charging:** Please check if
 - whether the USB charging point is supplied with power
 - whether the connection between the USB charging point and USB cable is faultless
 - whether the USB charger is possibly damaged.
- **No use in the long term:** The electrode can dry out. The bottle must then be filled with water for 8 hours before using it again.
- **The tightness of the bottle is not optimal:** The lid must be tight and the sealing ring intact.

WARNING & SAFETY INSTRUCTIONS

- **Make sure that the H2 generator is stable on a suitable surface and cannot fall over**, otherwise there is a risk that the sensitive glass bottle will break.
- Only use the USB charging cable supplied.
- Never use damaged USB cables.
- Do not disconnect the USB plug during charging.
- Do not touch the plug and the USB cable with wet hands.
- Disconnect the unit from the power grid immediately after it is fully charged.
- Remove the USB cable from the unit if it will not be used for a long time.
- If modifications are made to the unit, the unit must no longer be put into operation.
- Do not place heavy objects on the unit.
- Do not switch on and off several times in succession.
- If you come into contact with battery fluid, wash your hands immediately with clean water and seek medical attention if necessary.
- **Never operate the unit without water!**
The hydrogen cell could be damaged.
- During the charging process, the unit must not be disassembled or cleaned at the same time.
- Keep the appliance out of the reach of small children.
- **Do not fill with hot water above 80° C.**
The appliance is only suitable for water.
Do not fill with other liquids!
- If a liquid other than water has been poured in by mistake, clean the appliance with citric acid within 1 hour.

TECHNICAL DATA*

Dimensions (D x H)	66 x 225 mm
Weight	0,445 kg
Contents	Approx. 400 ml
Operating time	Approx. 3 min. per switch-on
Hydrogen production power	> 1.200 ppb (depending on the water quality) > 1.2 ppm
Connected supply unit	common USB-C plug
Battery charging time	approx. 60 minutes
Applications with fully charged battery	Up to 10 applications
Power consumption	10 W
Useable for:	All STILL water-qualities: Tab-, Bottle-, Spring-,
Warranty	2 years from delivery date

*) Technical changes possible at any time without prior notice.

BioPure.eu



BioPure.eu GmbH.
Rathausviertel 4
2353 Guntramsdorf
AUSTRIA
www.BioPure.eu